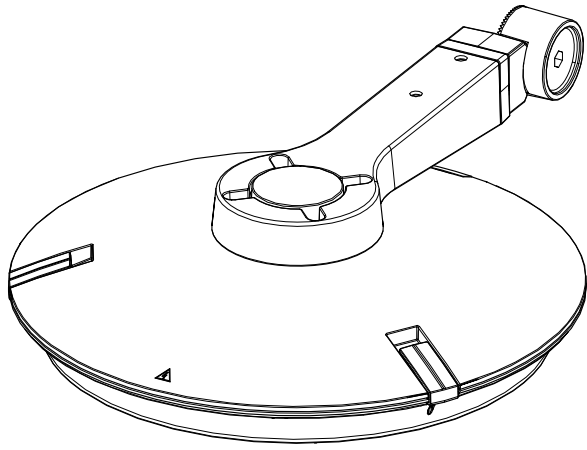


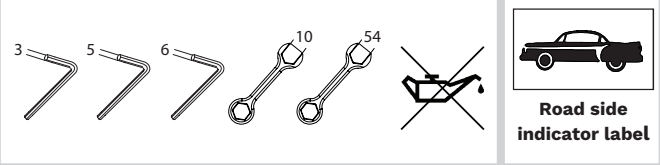
Schröder FLEXIA FG

Midi & Maxi

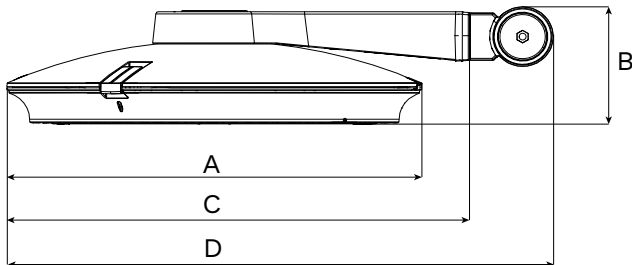
Side-Entry with swivel



ENG	INSTALLATION INSTRUCTIONS	ITA	ISTRUZIONI DI INSTALLAZIONE	NLD	INSTALLATIE INSTRUCTIES	DAN	INSTALLATIONSVEJLEDNING	HUN	TELEPÍTÉSI ÚTMUTATÓ
DEU	INSTALLATIONSANLEITUNG	POL	INSTRUKCJE MONTAŻU	RUS	Инструкции по установке	RON	INSTRUCȚIUNI DE INSTALARE	CHI	安装说明
FRA	INSTRUCTIONS DE MONTAGE	SPA	INSTRUCCIONES DE INSTALACIÓN	POR	INSTRUÇÕES DE INSTALAÇÃO	SWE	INSTALLATIONSANVISNING	UKR	Інструкції з монтажу
SRP	UPUTSTVA ZA INSTALACIJU	ARA	تعليمات التركيب						

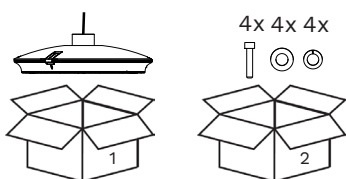


FLEXIA FG Midi

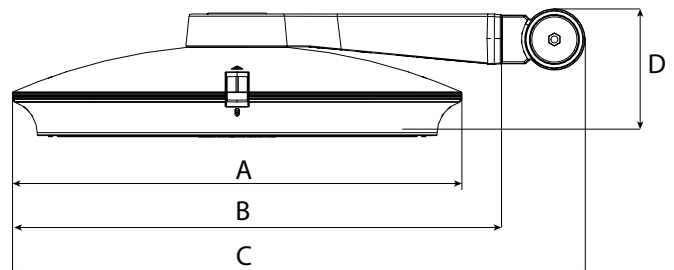


A	Ø504
B	145
C	578
D	682
Kg	9,6
Mass Tolerance (kg)	+/- 0,8

Cd.S	0,093 m ²
Cs.S	0,026 m ²
Cl.S	0,107 m ²

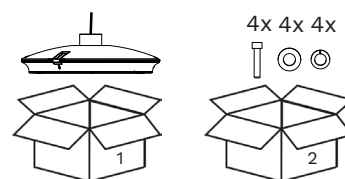


FLEXIA FG Maxi



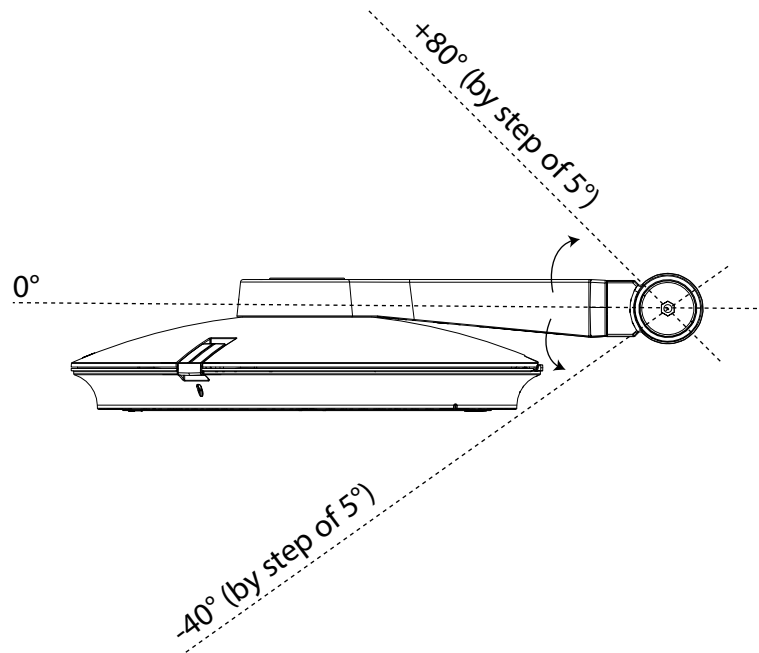
A	Ø610
B	168
C	633
D	737
Kg	14,25

Cd.S	0,102 m ²
Cs.S	0,004 m ²
Cl.S	0,102 m ²

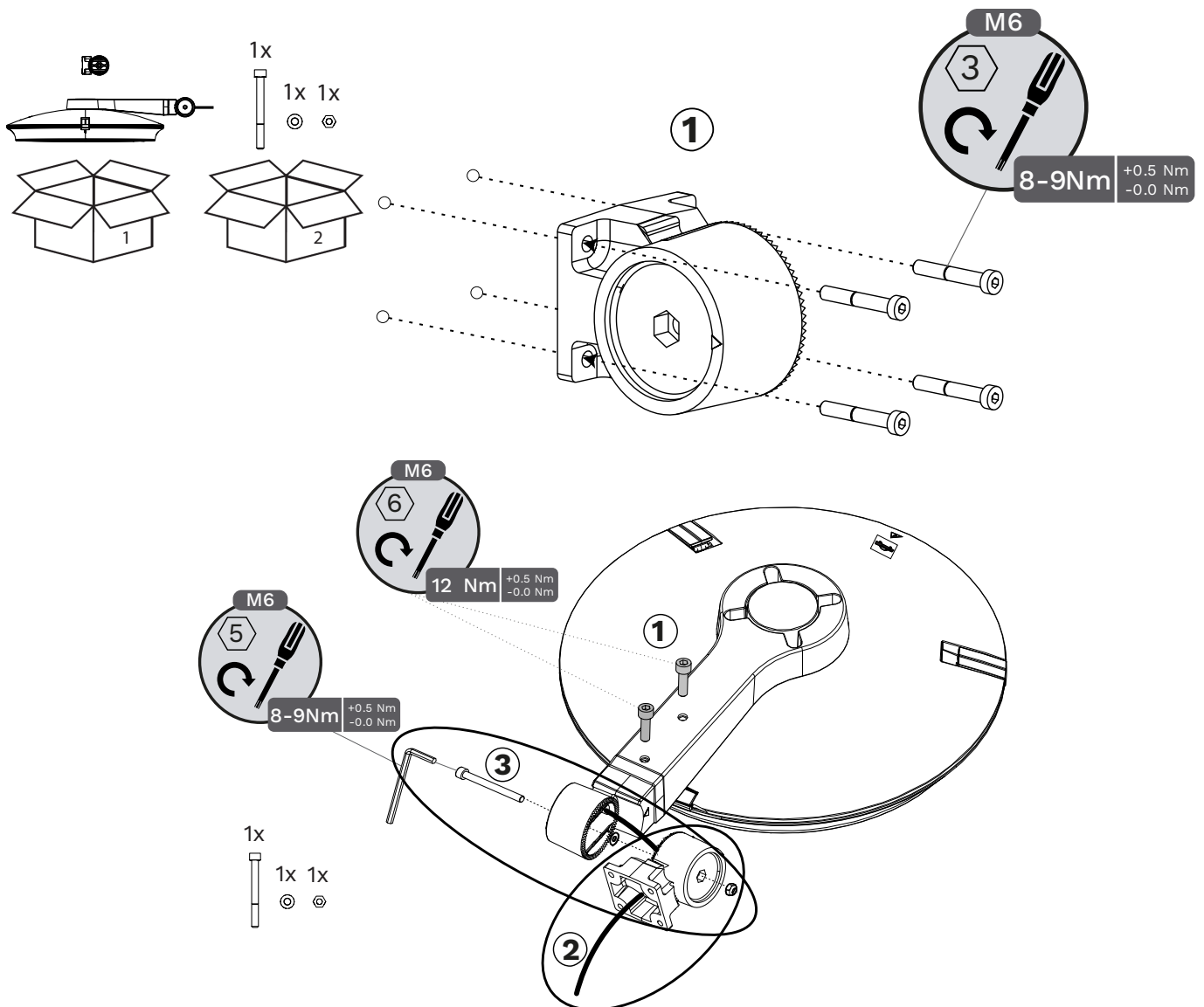




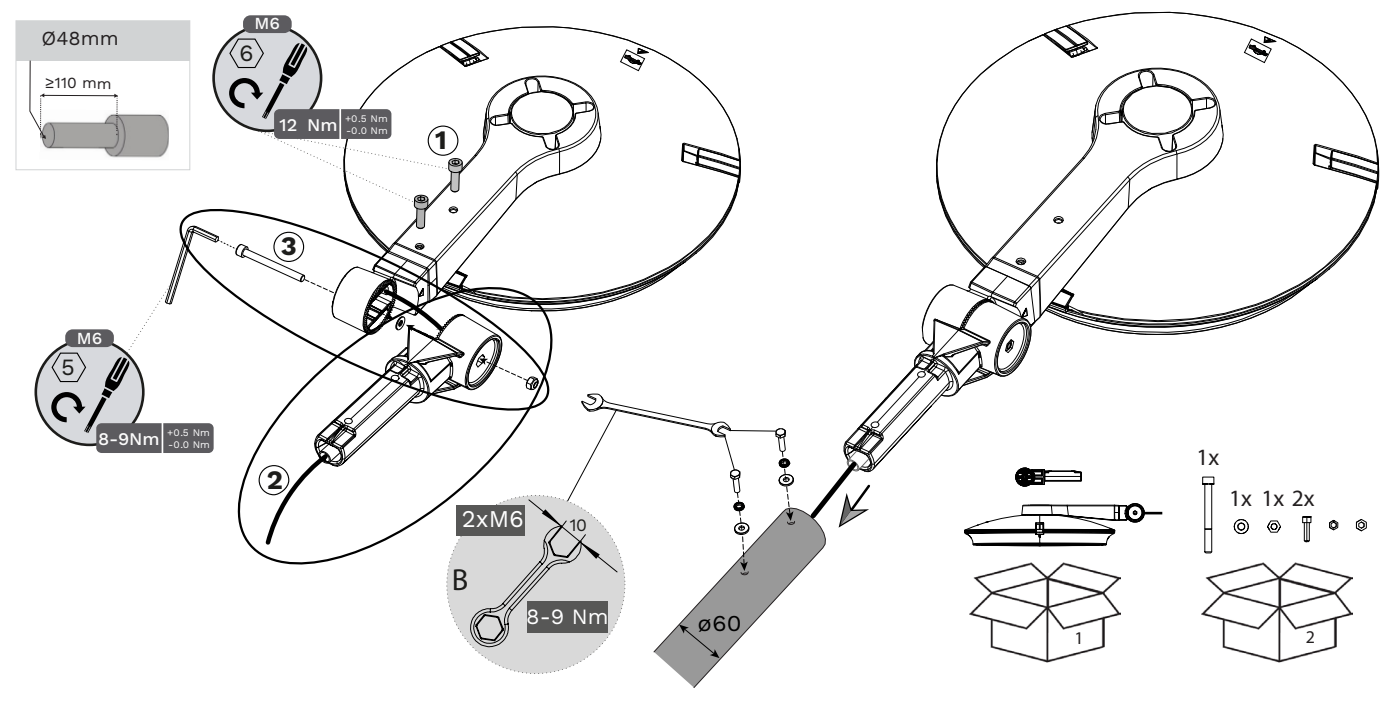
A. KNUCKLE JOINT ANGLE



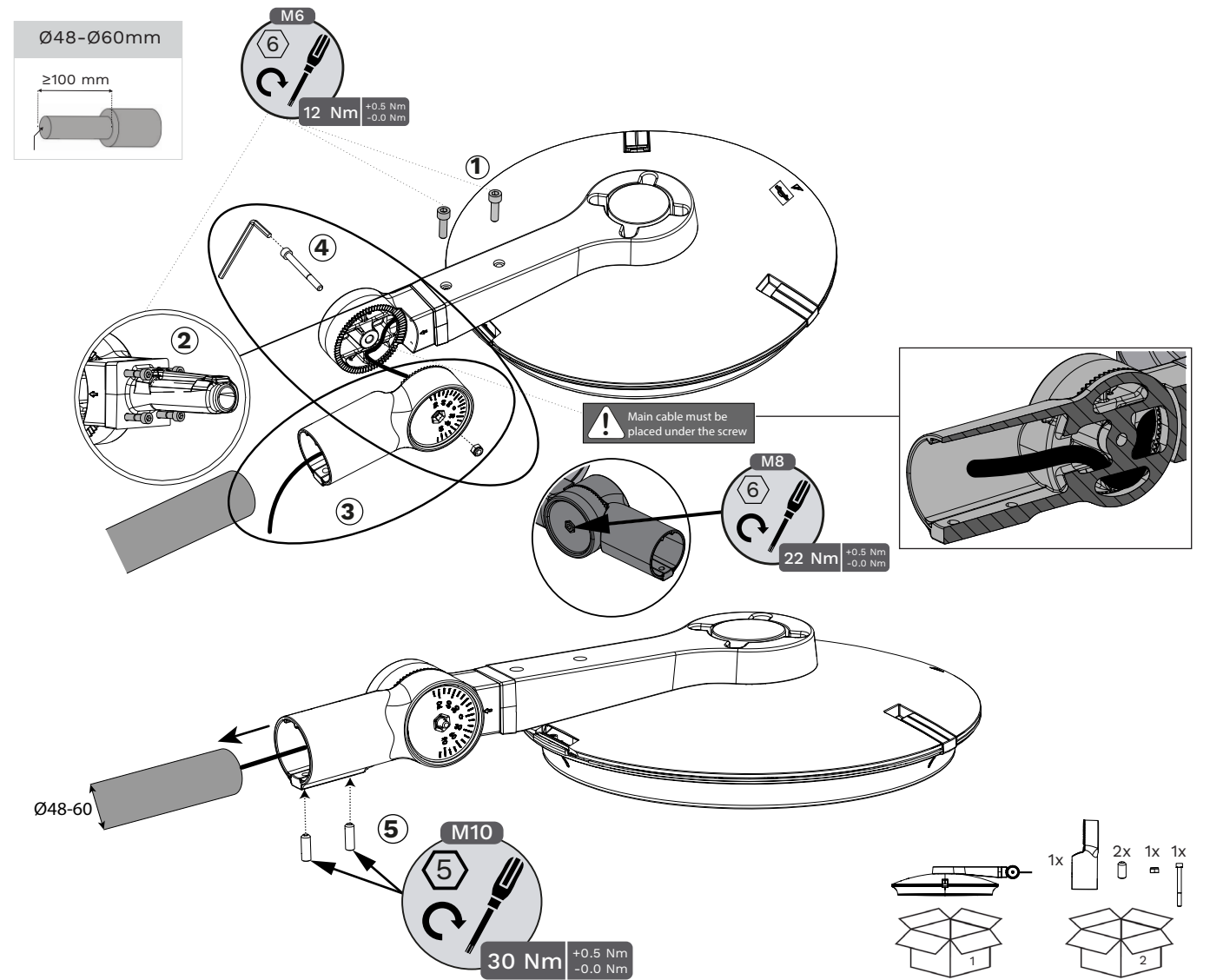
B. KNUCKLE JOINT SIDE-ENTRY 60X50 SQUARE



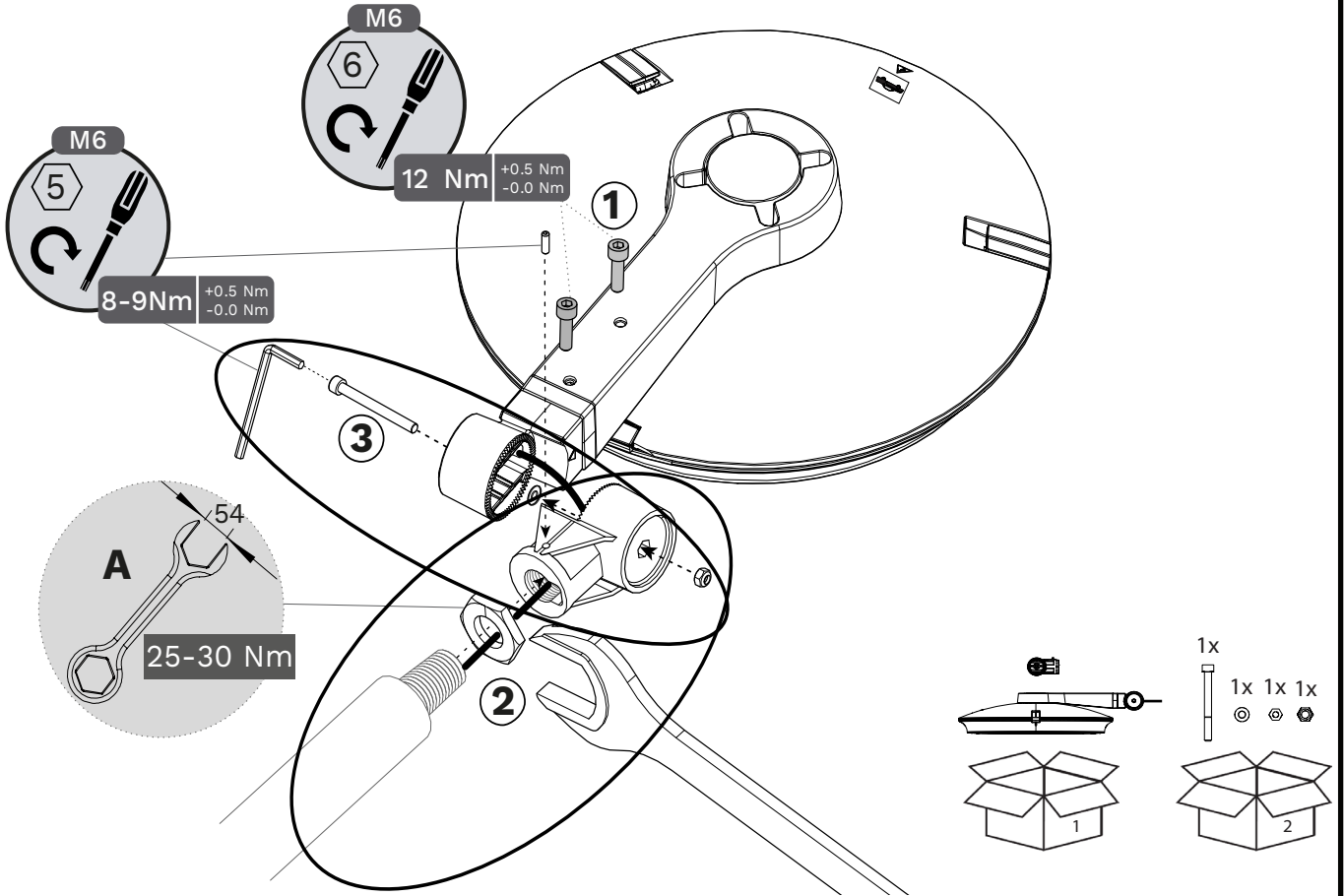
C. KNUCKLE JOINT SIDE-ENTRY PENETRATING Ø48MM



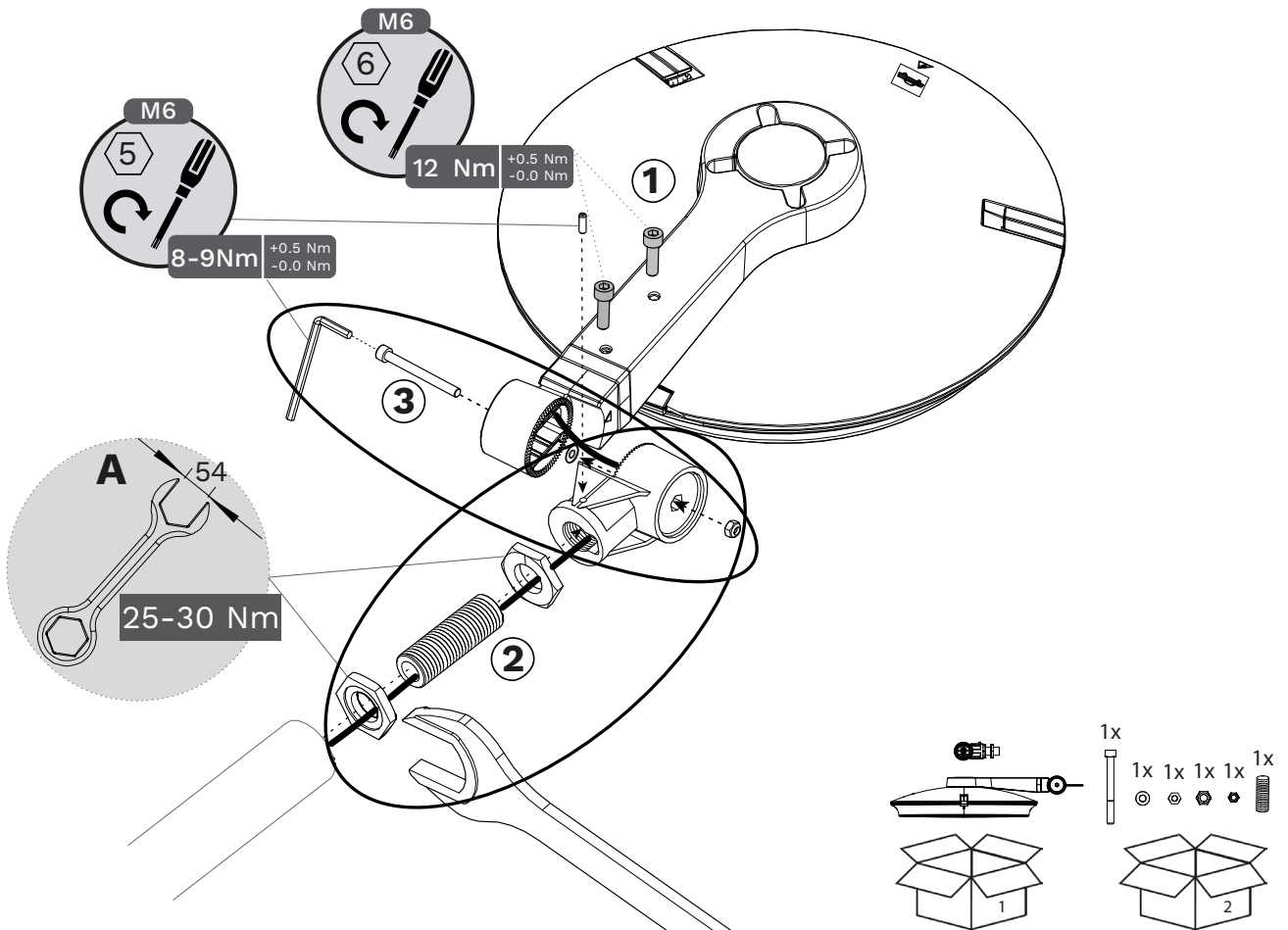
D. KNUCKLE JOINT SIDE-ENTRY ENCLOSING Ø60MM (ONLY FOR MIDI)



 **E. KNUCKLE JOINT 1" GAS FEMALE SIDE-ENTRY**

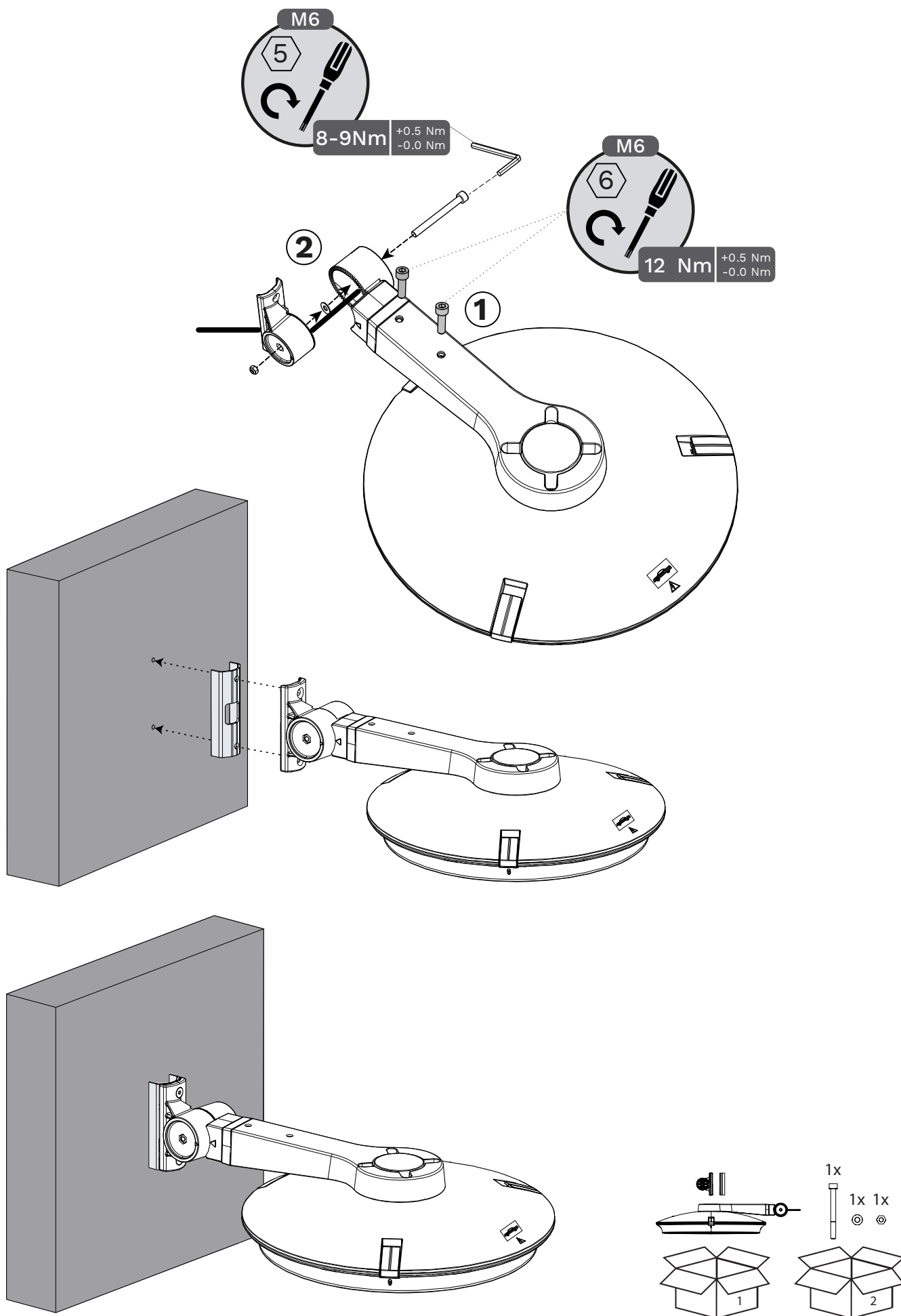


 **F. KNUCKLE JOINT 1" GAS MALE SIDE-ENTRY**



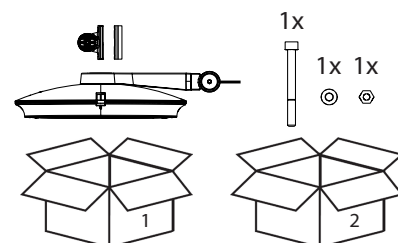
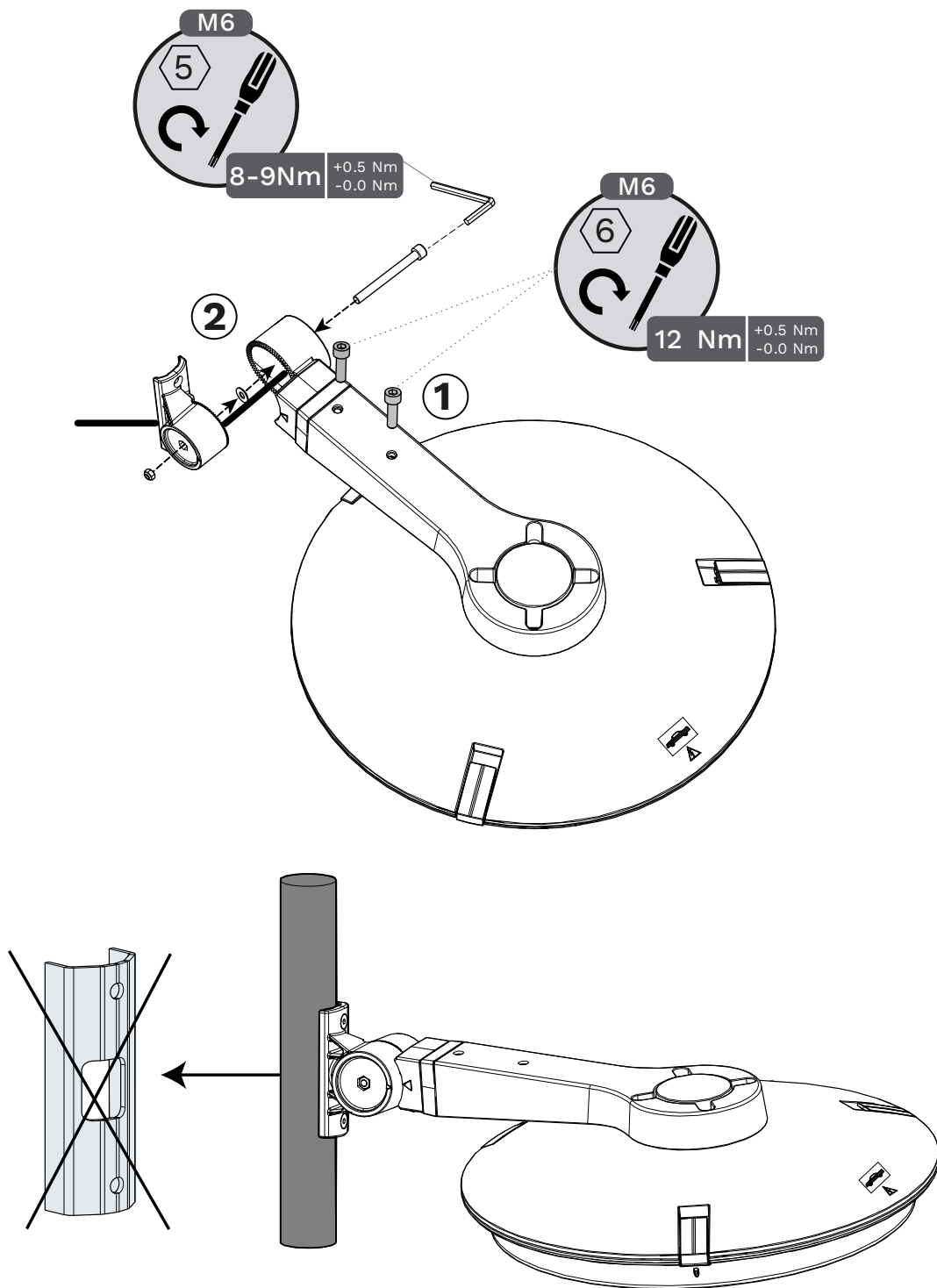


G. KNUCKLE JOINT SURFACE



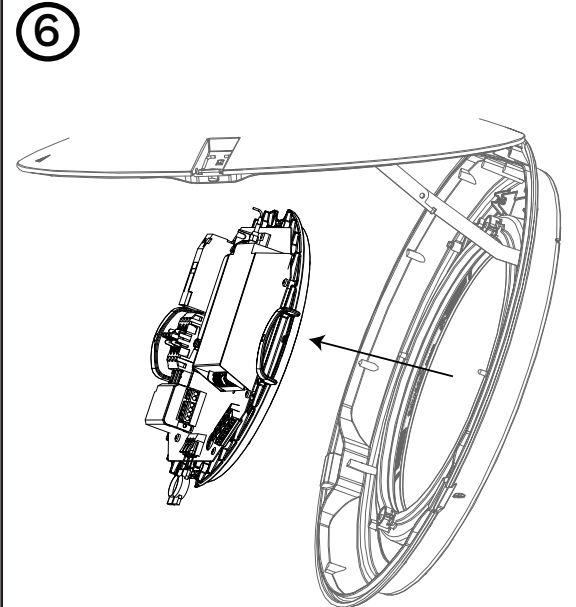
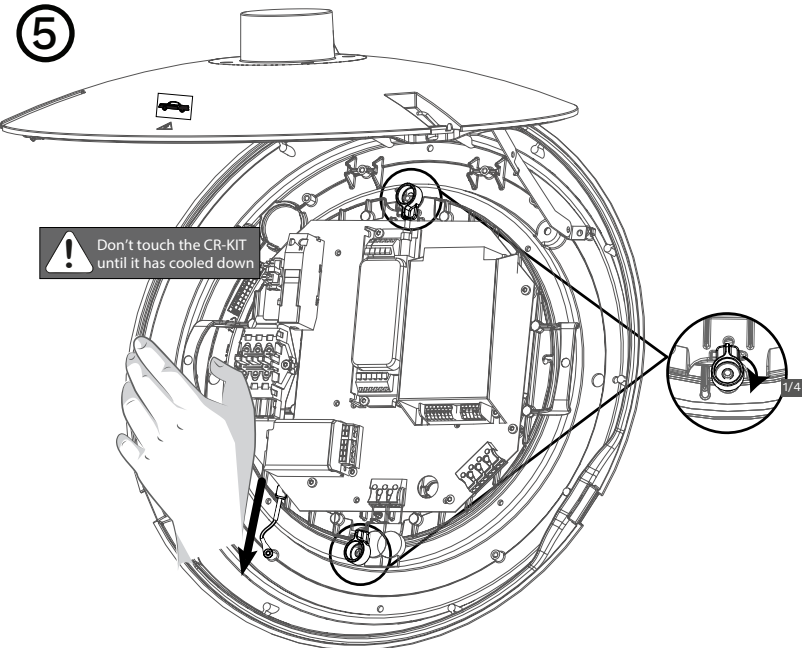
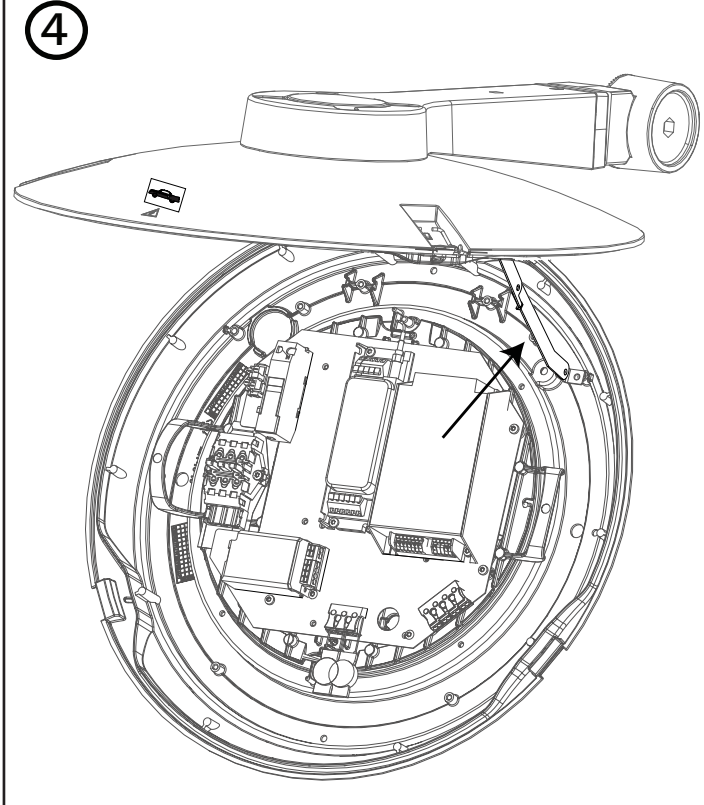
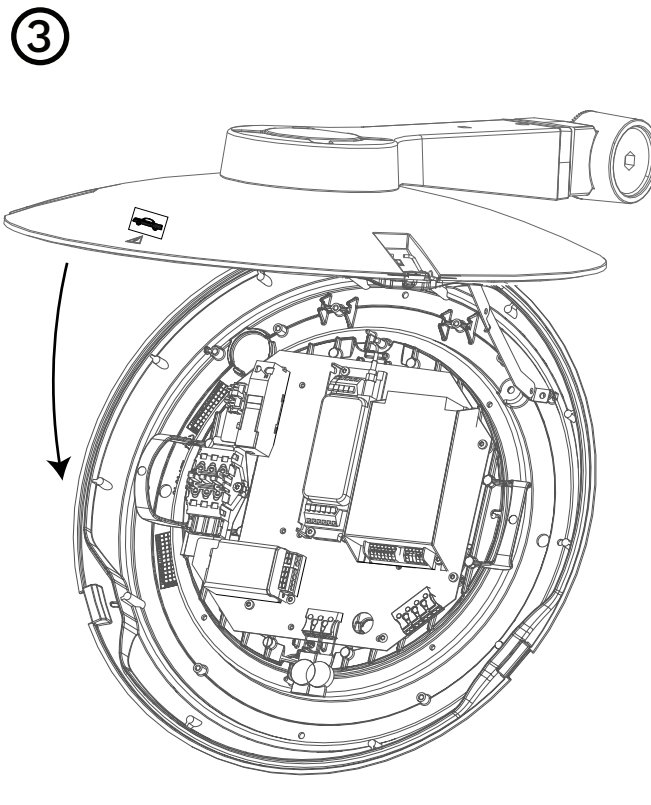
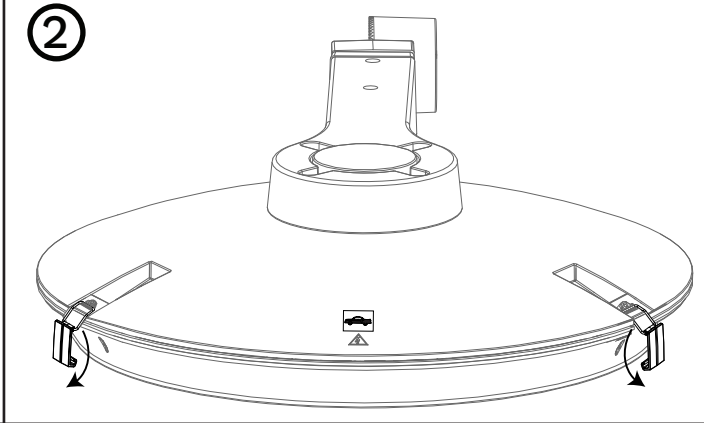
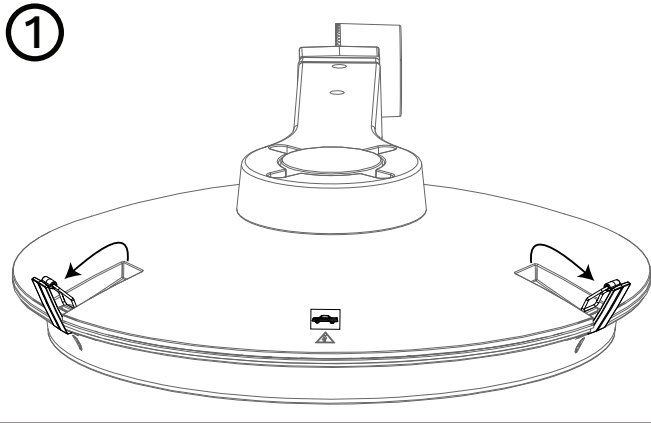


H. KNUCKLE JOINT REAR BRACKET





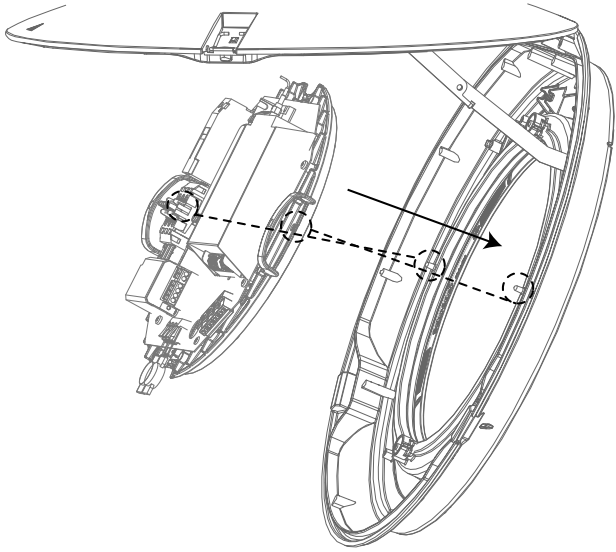
I. MAINTENANCE CR-KIT EU



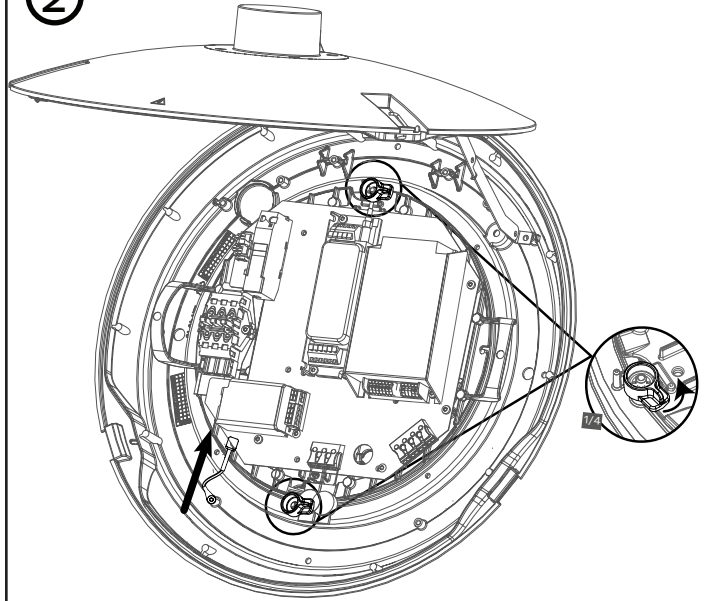


J. REASSEMBLING

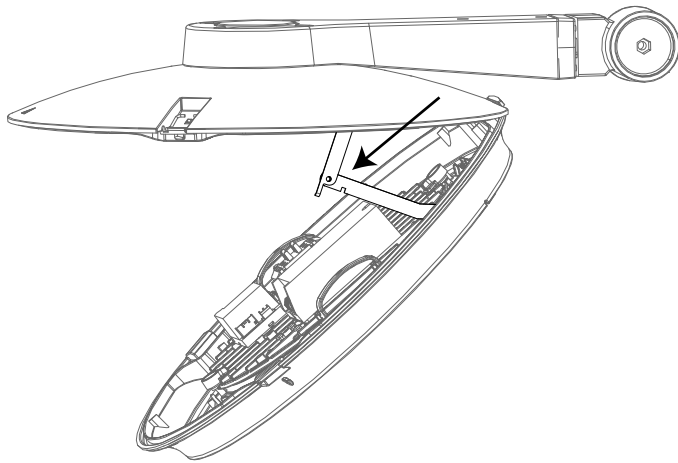
①



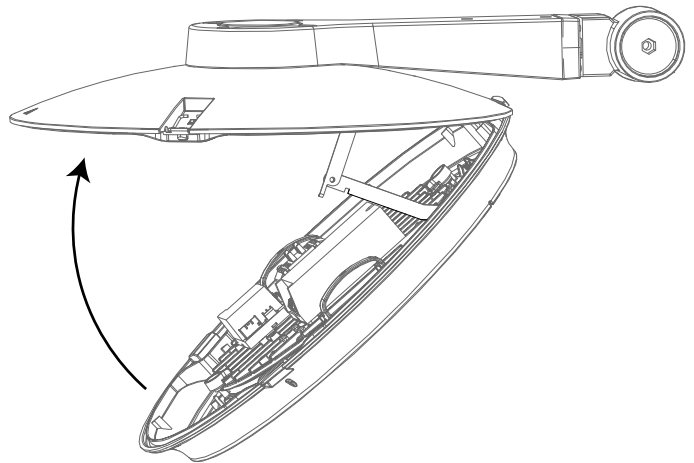
②



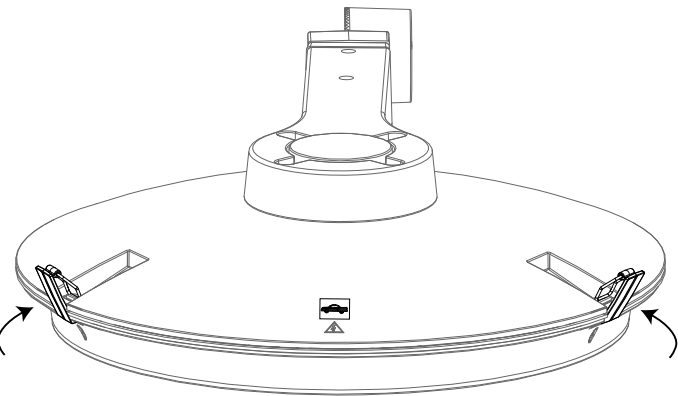
③



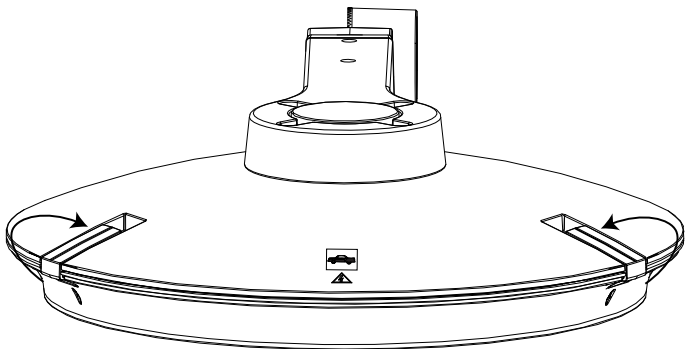
④



⑤



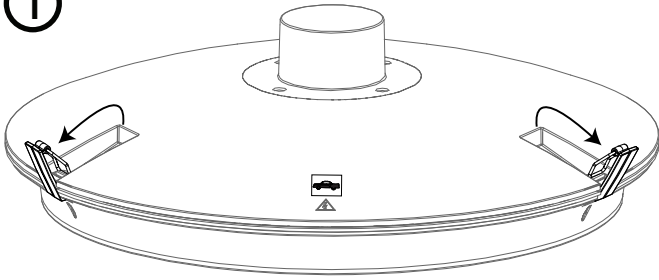
⑥



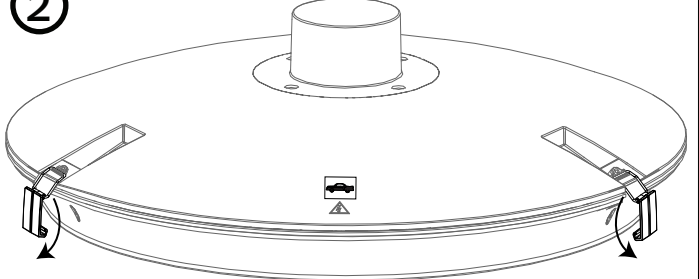


K. MAINTENANCE CR-KIT CSA/UL

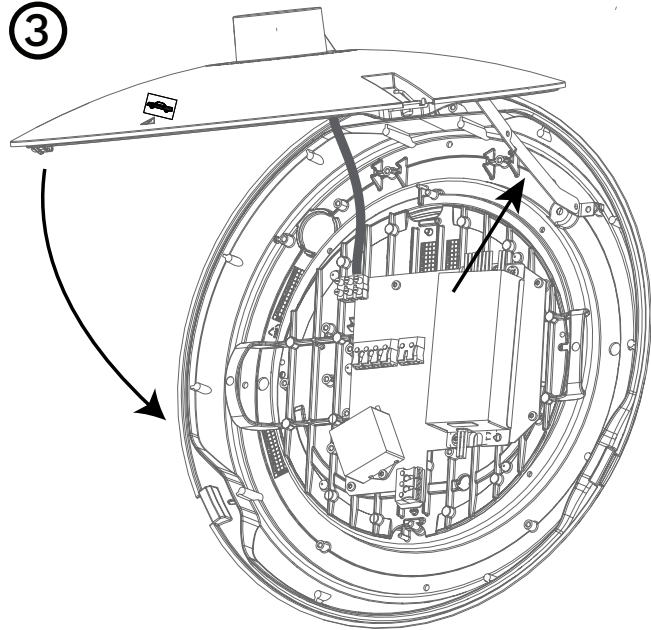
①



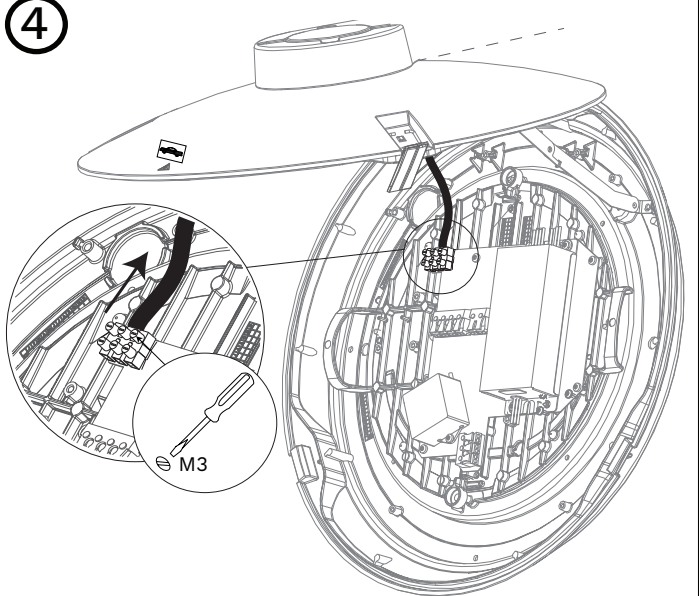
②



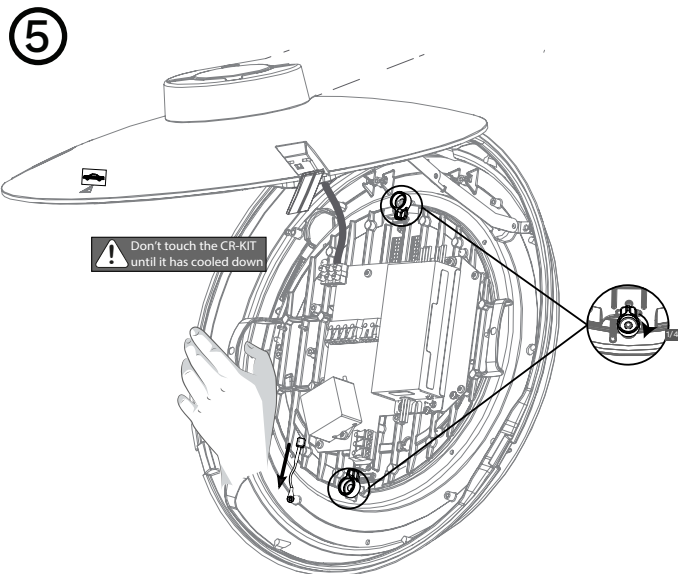
③



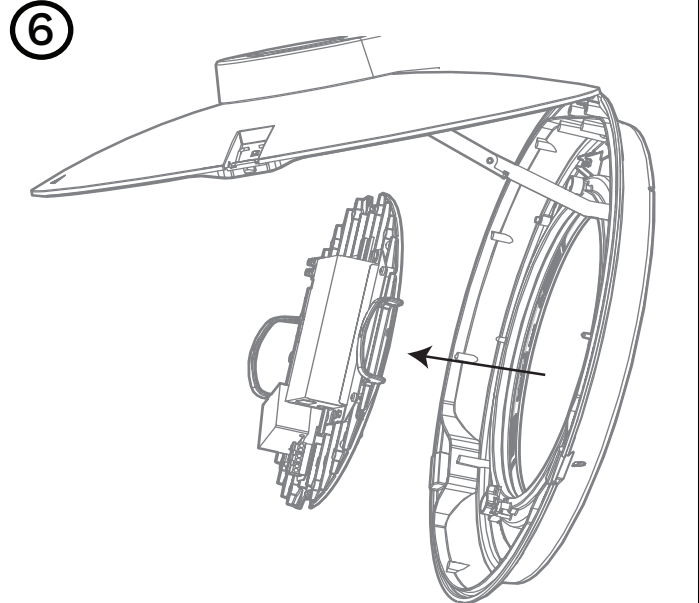
④



⑤



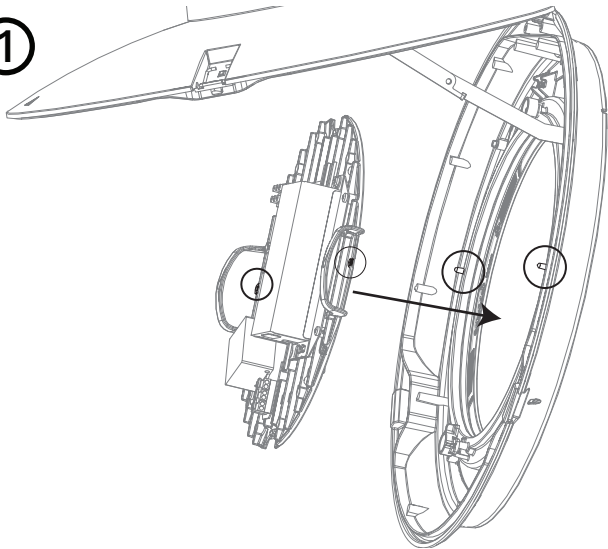
⑥



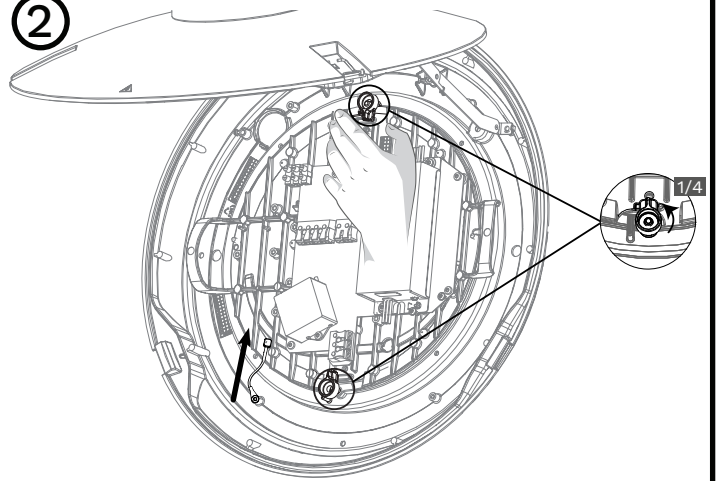


L. REASSEMBLING

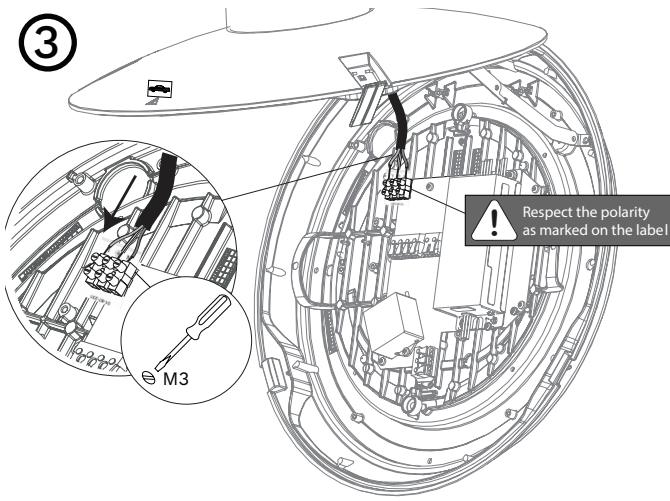
①



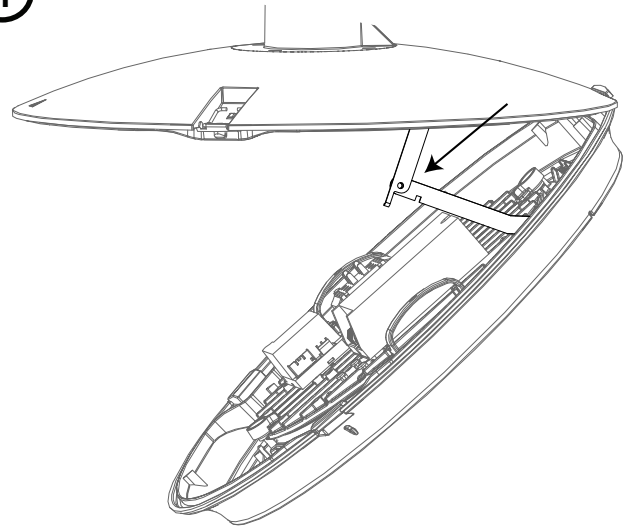
②



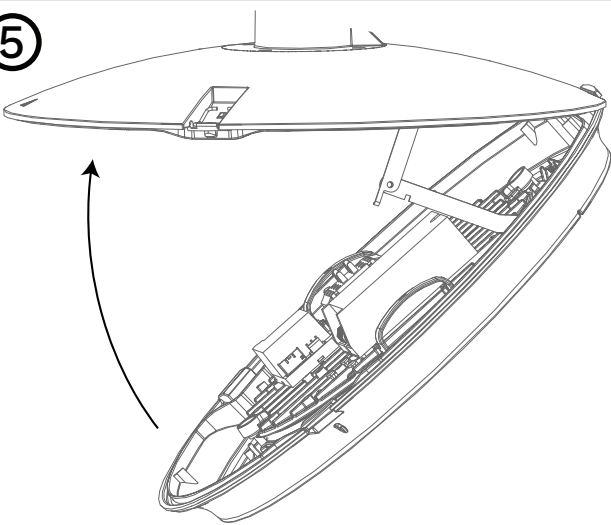
③



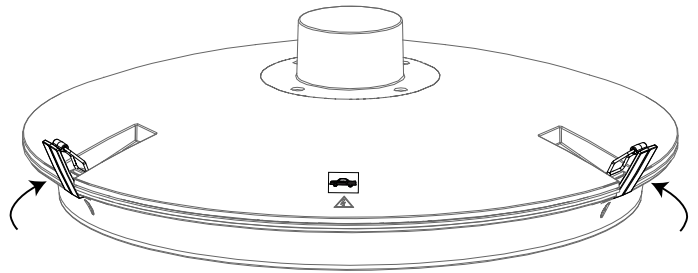
④



⑤



⑥



⑦

