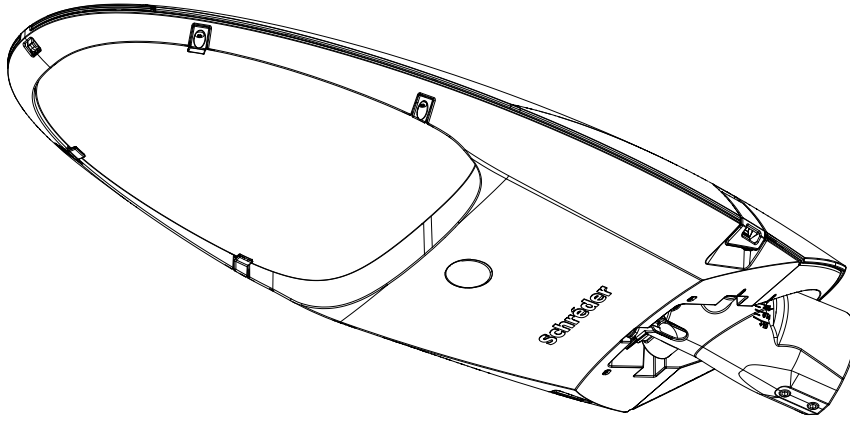


Schröder

VINTO

Mini-Midi



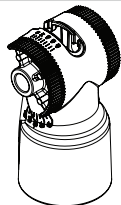
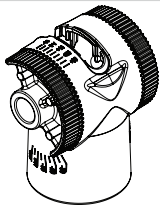
ENG	INSTALLATION INSTRUCTIONS	ITA	ISTRUZIONI DI INSTALLAZIONE	NLD	INSTALLATIE INSTRUCTIES	DAN	INSTALLATIONSVEJLEDNING	HUN	TELEPÍTÉSI ÚTMUTATÓ
DEU	INSTALLATIONSANLEITUNG	POL	INSTRUKCJE MONTAŻU	RUS	Инструкции по установке	RON	INSTRUCȚIUNI DE INSTALARE	CHI	安装说明
FRA	INSTRUCTIONS DE MONTAGE	SPA	INSTRUCCIONES DE INSTALACIÓN	POR	INSTRUÇÕES DE INSTALAÇÃO	SWE	INSTALLATIONSANVISNING	UKR	Інструкції з монтажу
SRP	UPUTSTVA ZA INSTALACIJU	ARA	تعليمات التركيب						



ENVELOPPING FIXATION

Ø42-60 mm

Ø76 mm

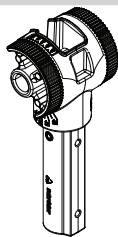


2x M10x35 mm

2x M10x35 mm

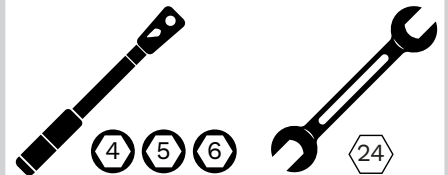
PENETRATING FIXATION

Ø60 mm



2x M8x25mm

ALL THE TIGHTENING TORQUES VALUES ARE GIVEN FOR ASSEMBLIES WITHOUT THE ADDITION OF A GREASE DECREASING FRICTION.

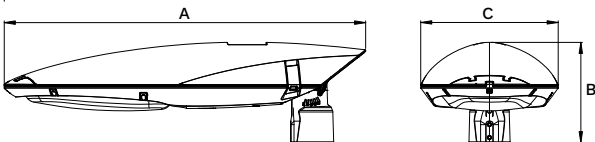


No lubricant allowed

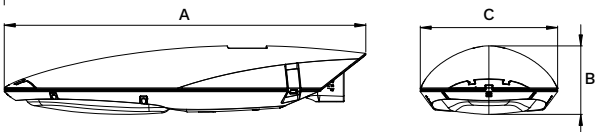
IK Table	VINTO Mini	VINTO Midi
Flat Glass		09
Low deep protector	09	08

	MINI			MIDI		
	SE PENETRATING	SE	PT	SE PENETRATING	SE	PT
A	775 mm	718 mm	708 mm	910 mm	843 mm	
B	148 mm		227 mm	160 mm	234 mm	
C	320 mm			321 mm		
Kg	8,8			10,8		
CxS	0,018 mm ²			0,021 m ²		

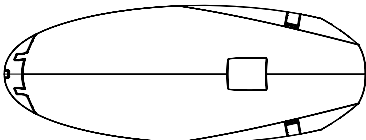
POST-TOP VERSION



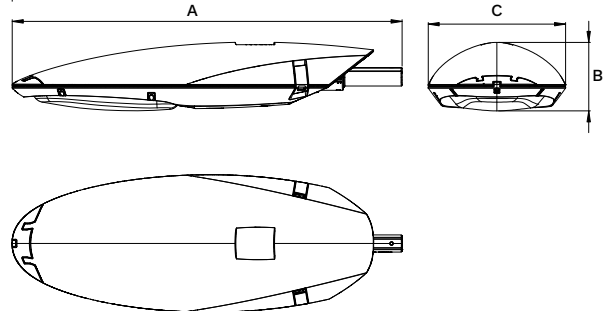
SIDE-ENTRY VERSION



POST-TOP & SIDE-ENTRY VERSION



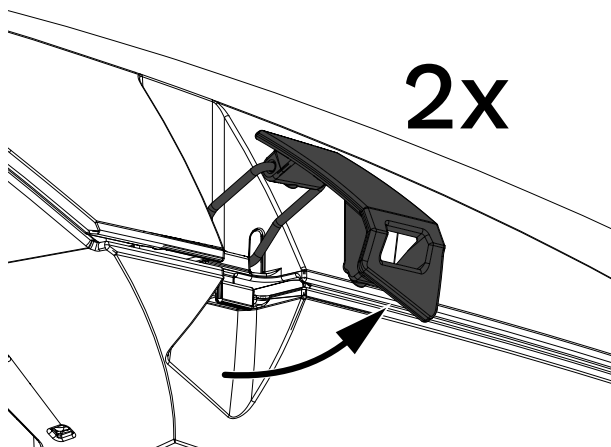
SIDE-ENTRY PENETRATING VERSION



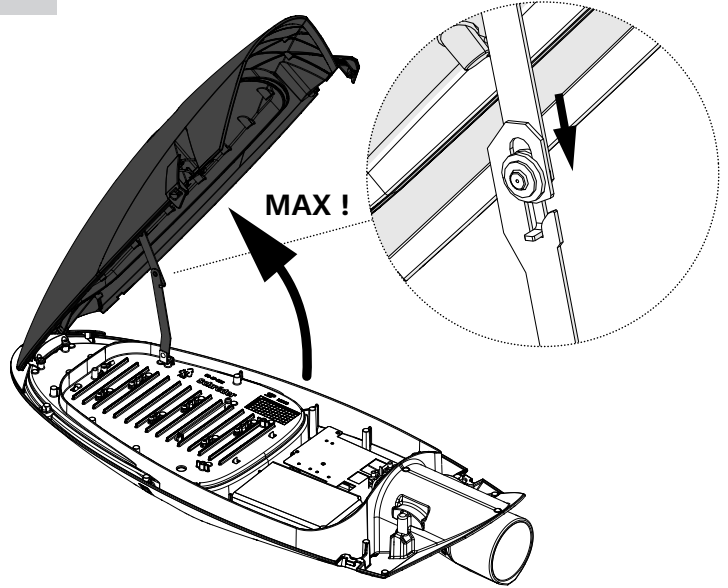


A. OPENING

1



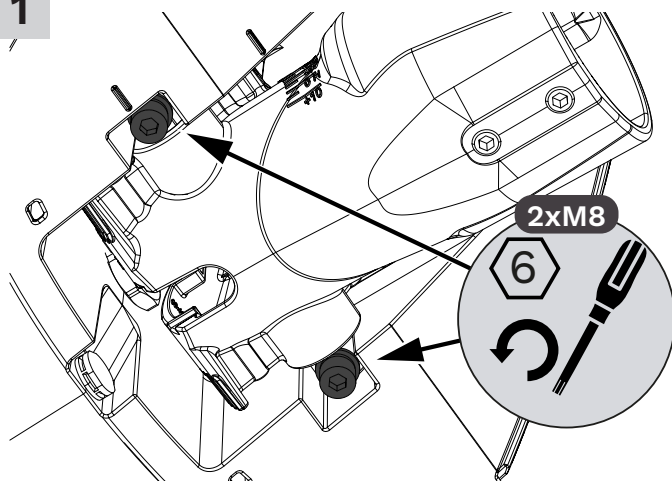
2



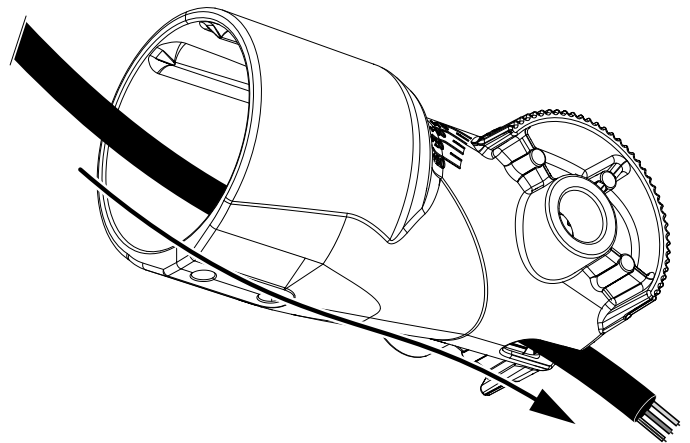
B. CONNECT THE MAIN CABLE

WITHOUT MAIN CABLE OPTION

1

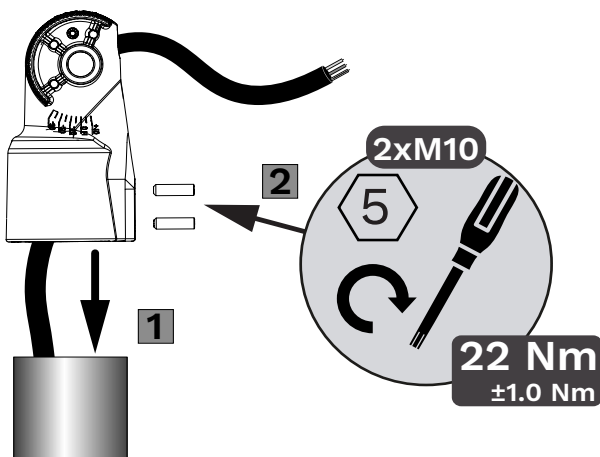


2

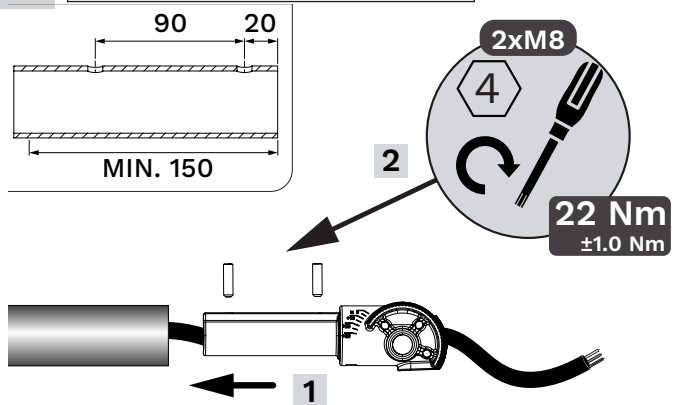


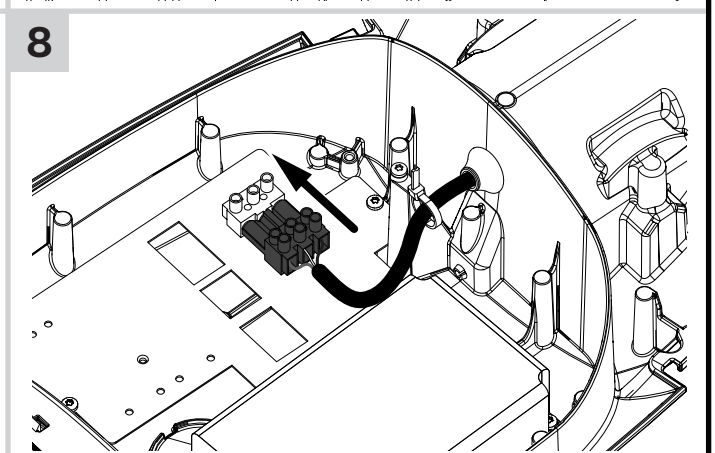
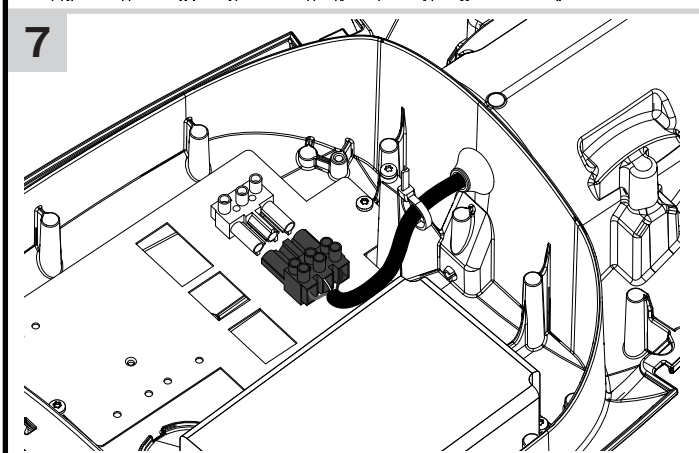
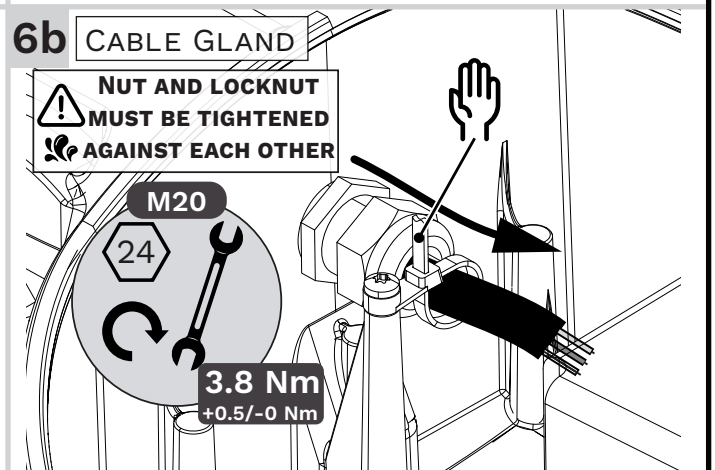
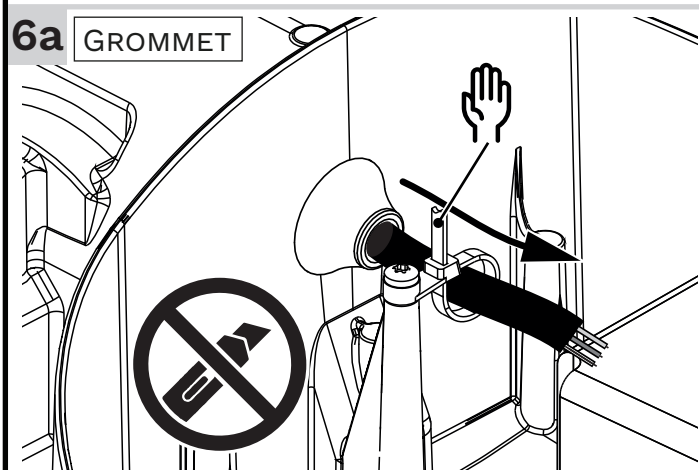
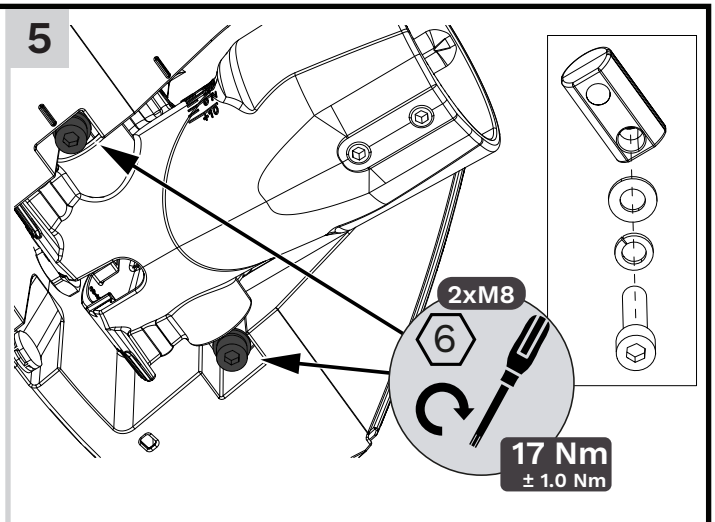
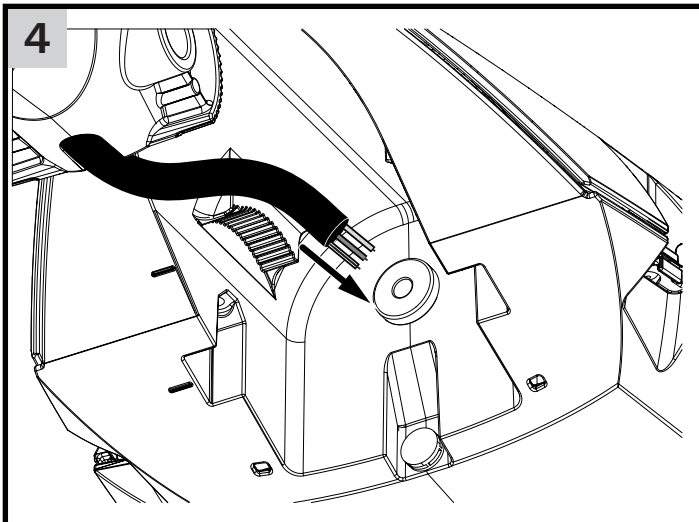
! CAREFUL NOT TO LOSE THE FIXING PINS!
AND SCREWS WHEN DISASSEMBLING

3a POST-TOP/SIDE-ENTRY ENVELOPING

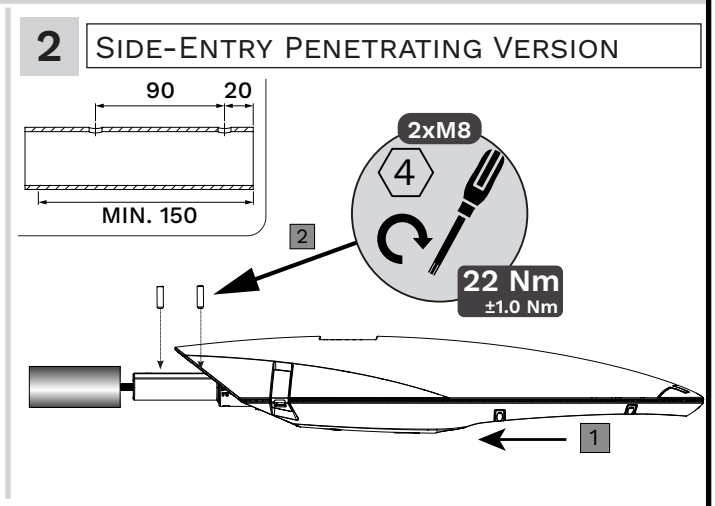
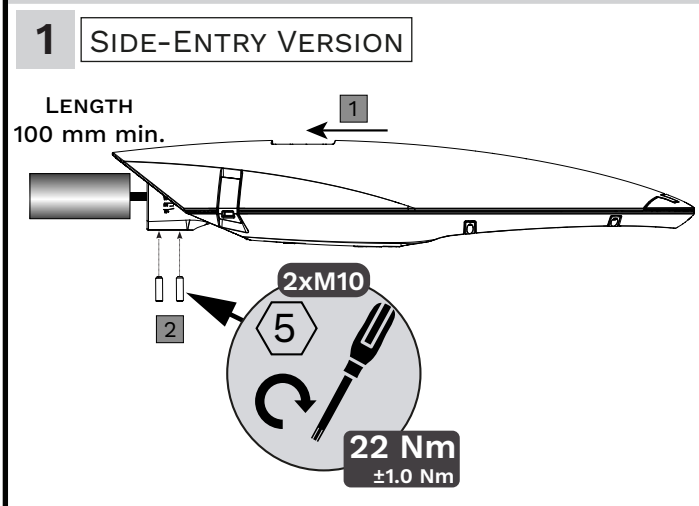


3b SIDE-ENTRY PENETRATING

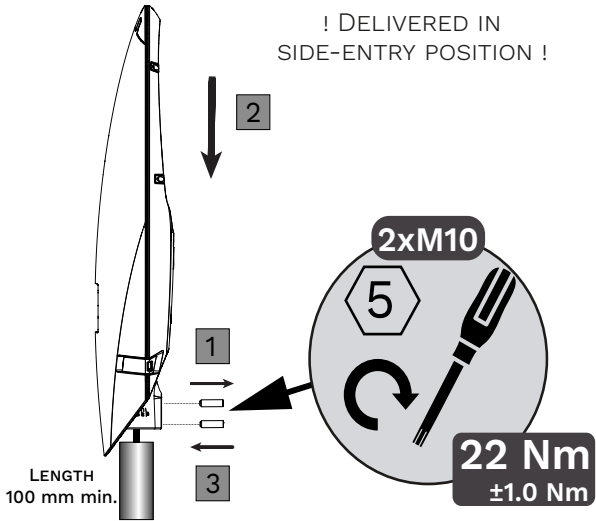




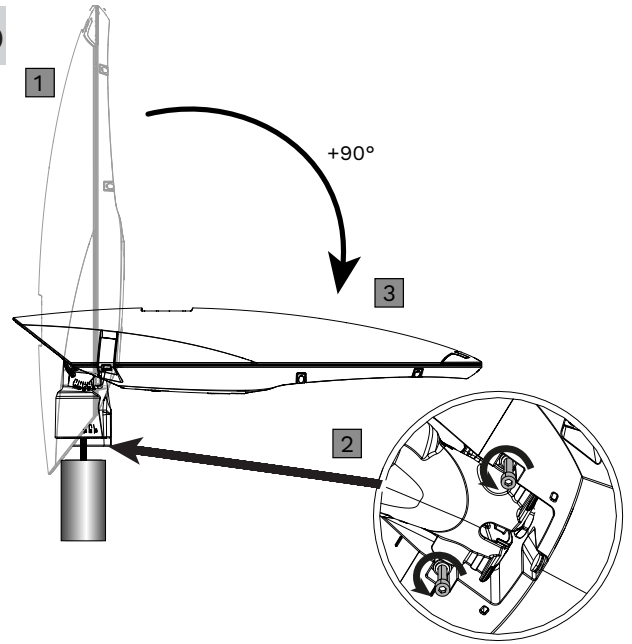
C. MECHANICAL INSTALLATION



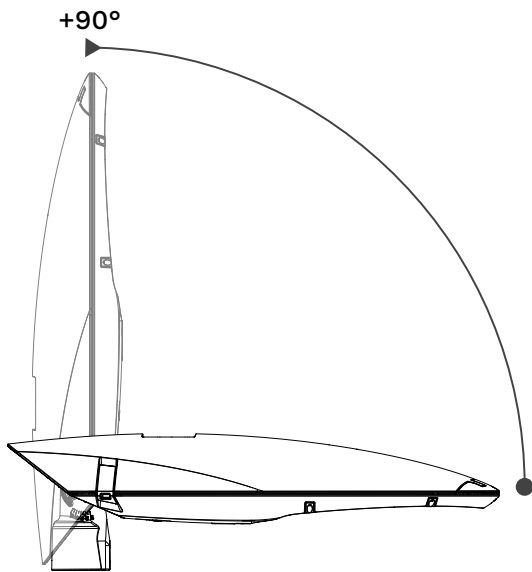
3a POST-TOP VERSION



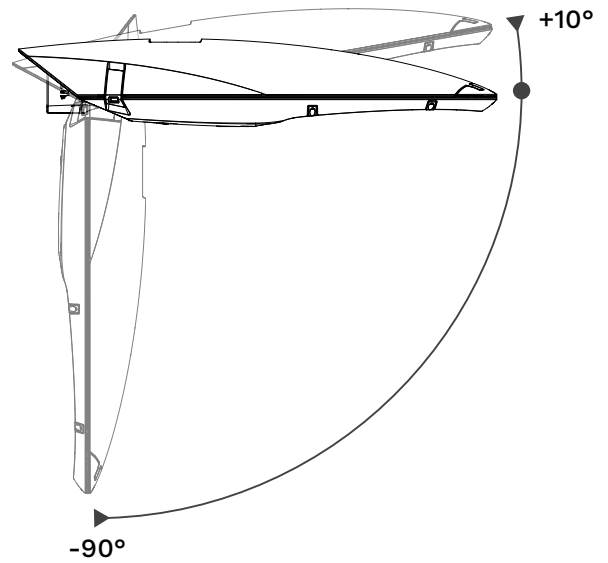
3b



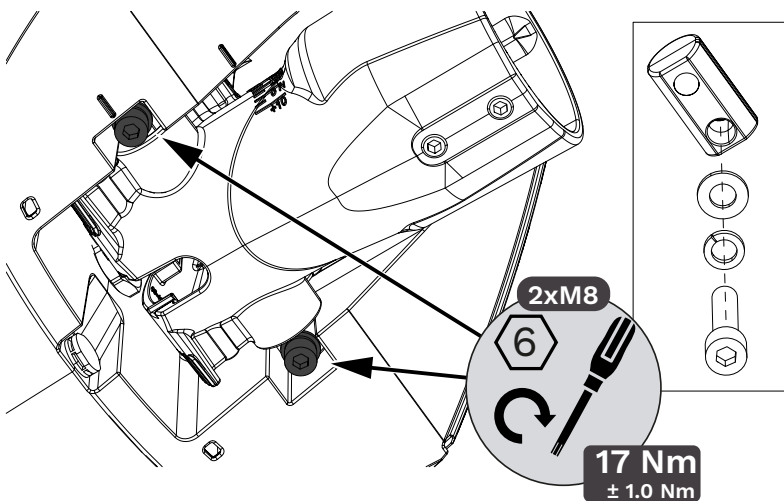
4a POST-TOP VERSION



4b SIDE-ENTRY VERSION

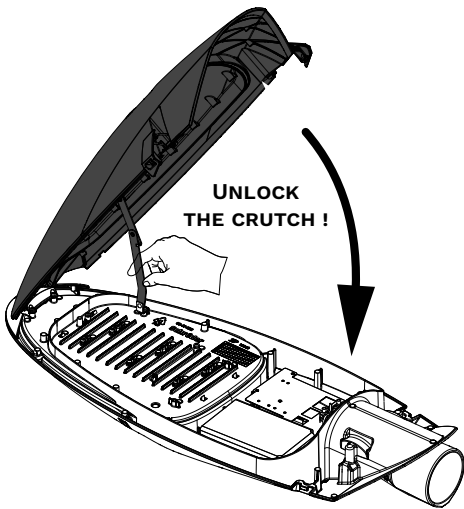


5

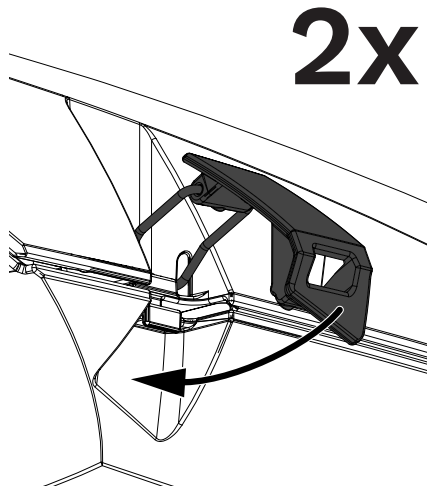


D. CLOSING

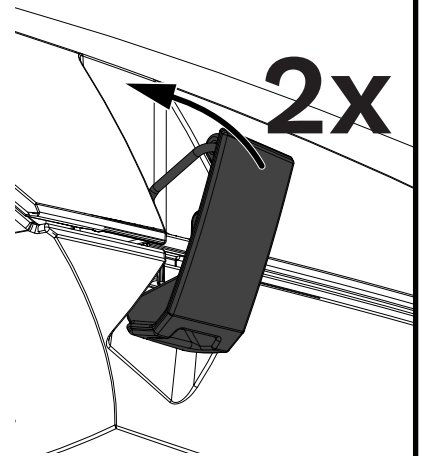
1



2



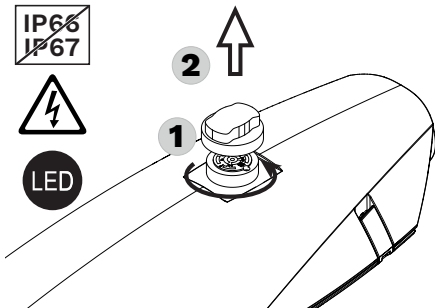
3



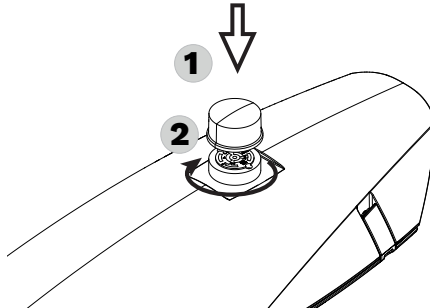
E. ACCESSORIES

THE SAME RULES APPLIES WHEN THE ACCESSORY IS ON THE OTHER SIDE OF THE PRODUCT.
FOR OTHER ACCESSORIES, PLEASE REFER TO THE RELEVANT MANUALS.

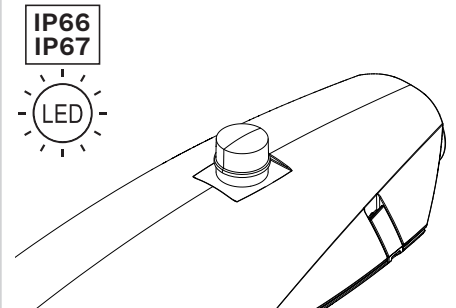
1 NEMA



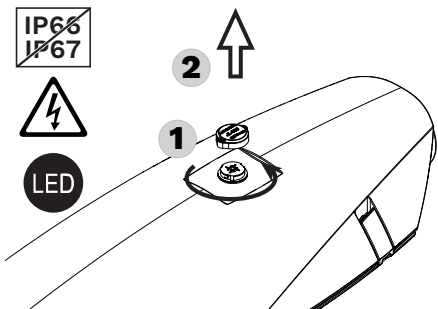
2 DATALIFT/DATAMESH



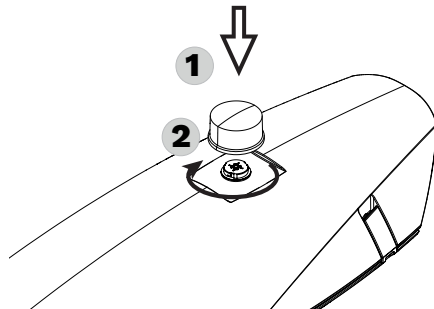
3



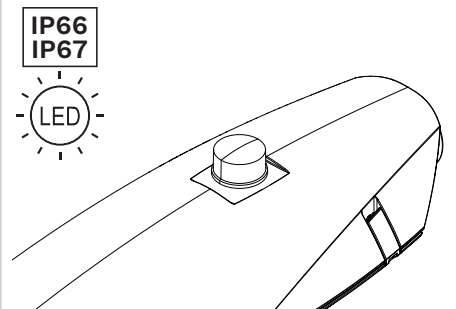
1 ZHAGA



2 DATALIFT/DATAMESH



3





F. CONNECTION - NO MAIN CABLE SUPPLY



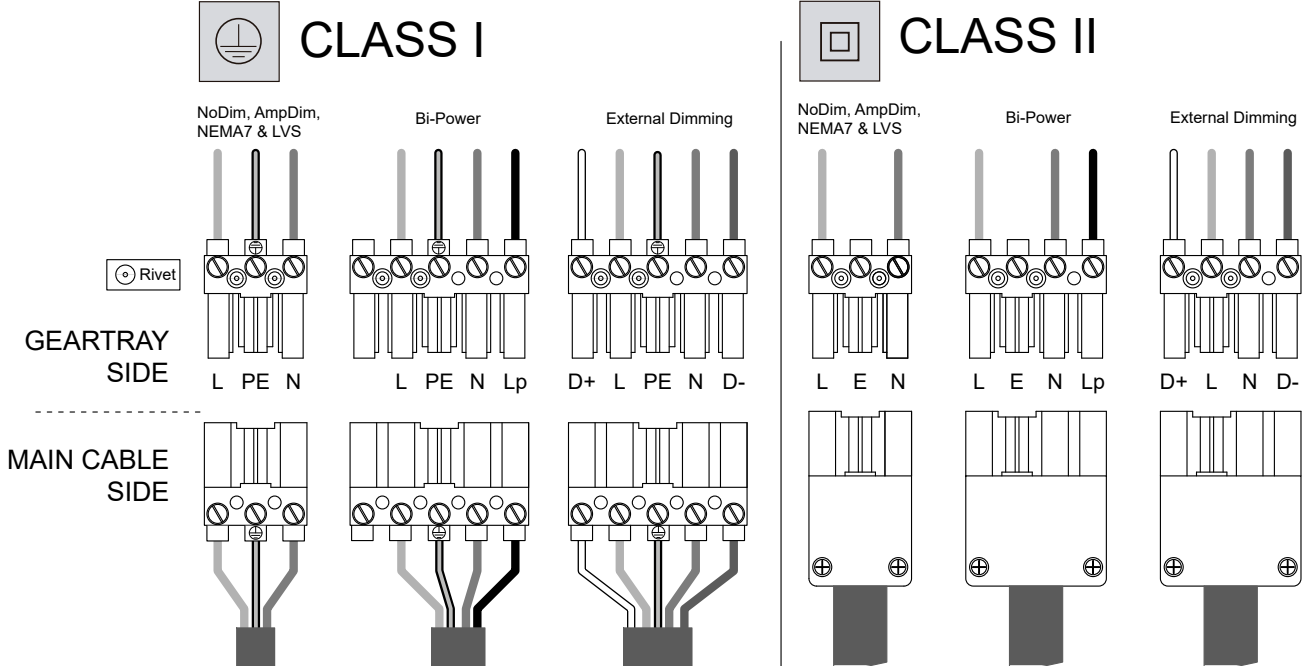
Line and neutral MUST be respected !



CLASS I



CLASS II



Dim

Bi-Power
Switching line



No Dim

